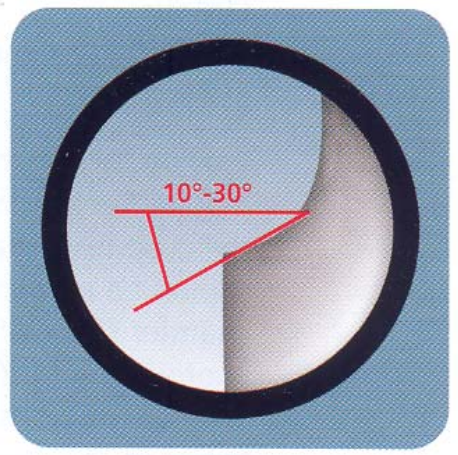
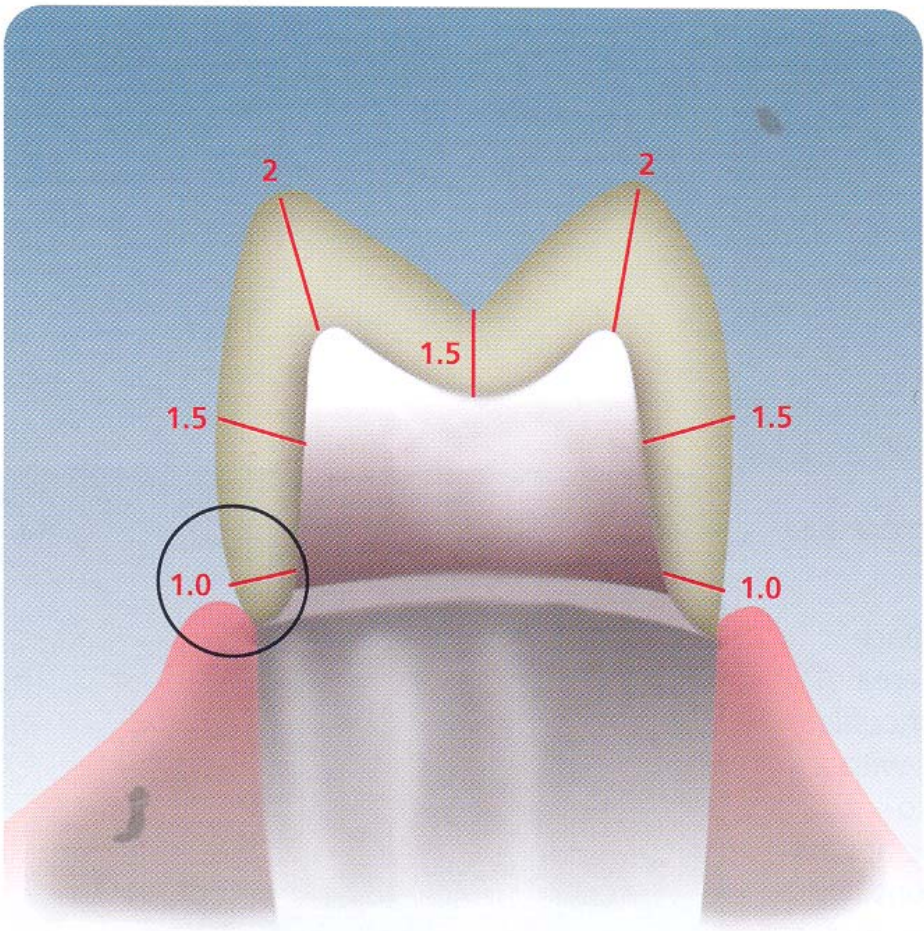
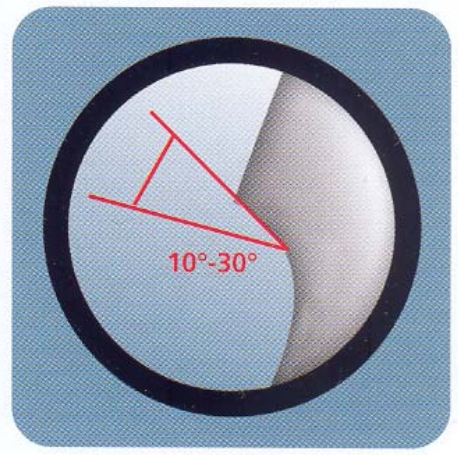
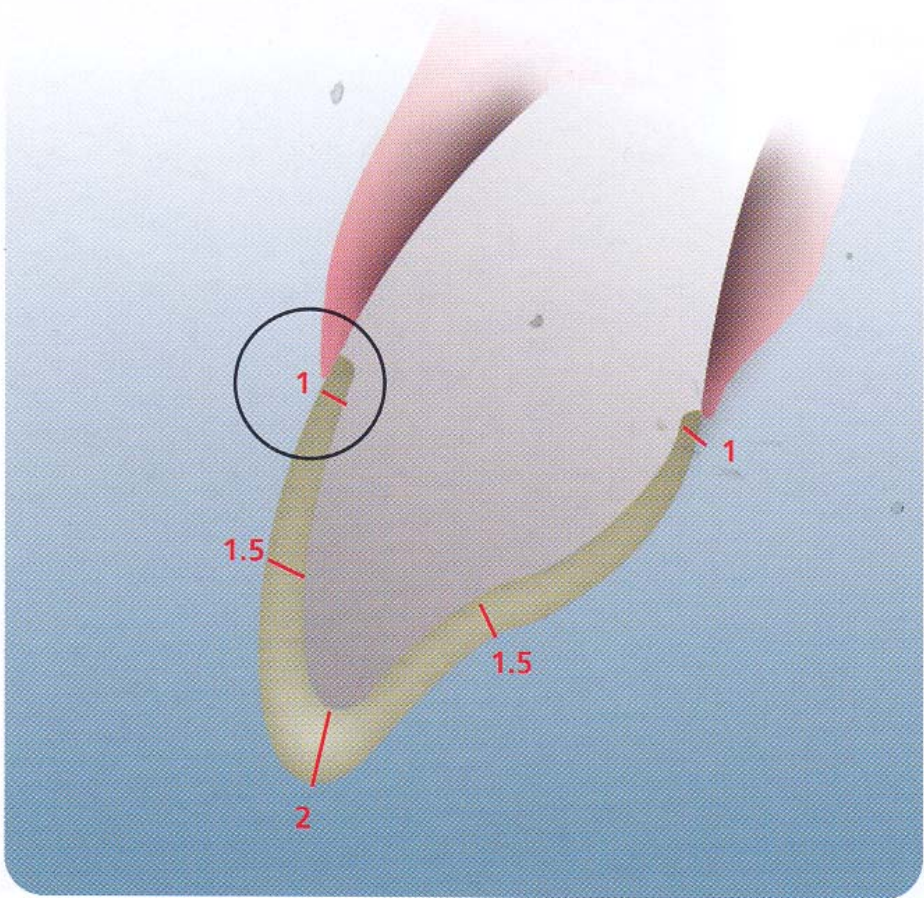


cal
ss.
th
°
x.
or
XX.



ated material thickness. Exactly
ration, particularly in the area of